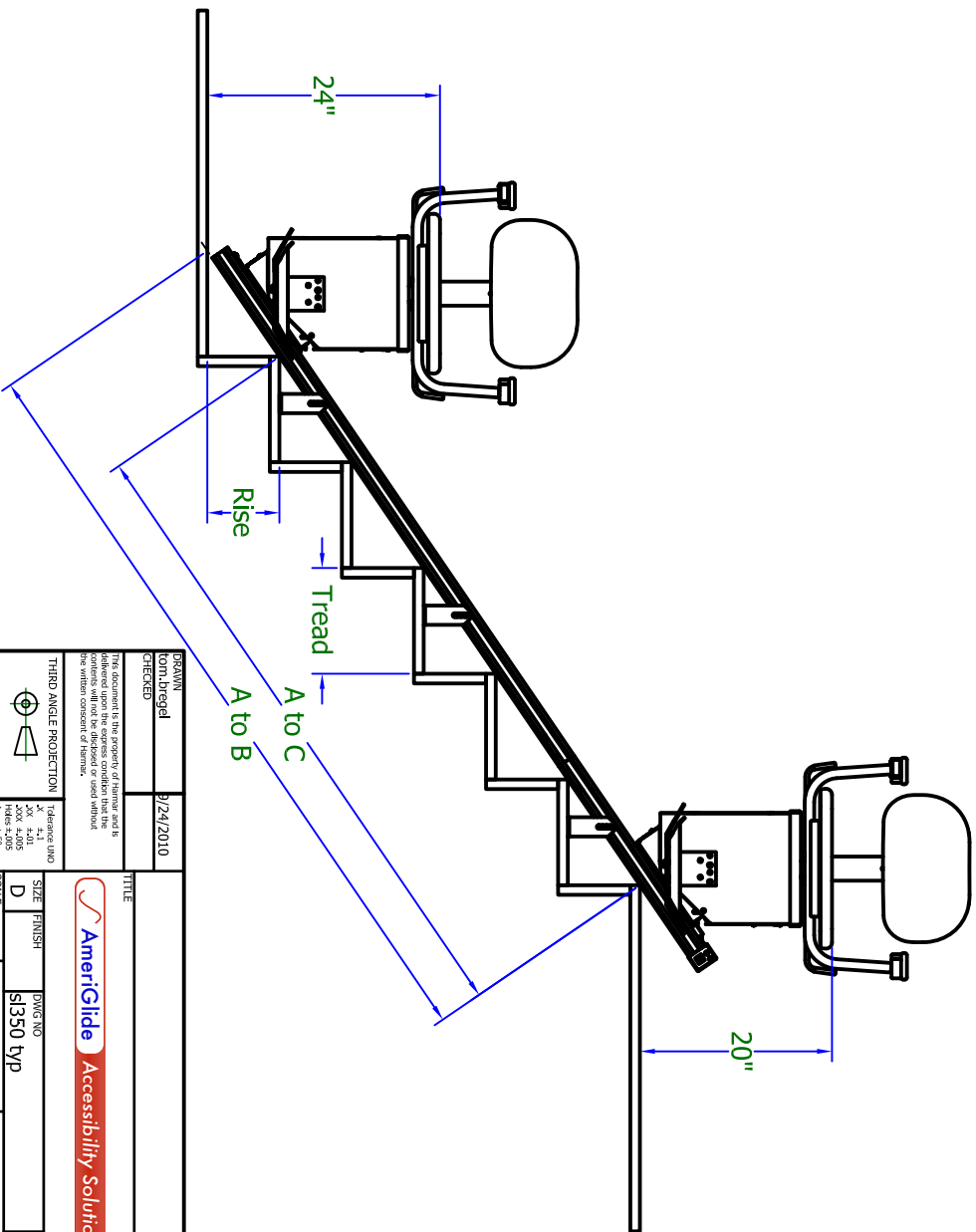
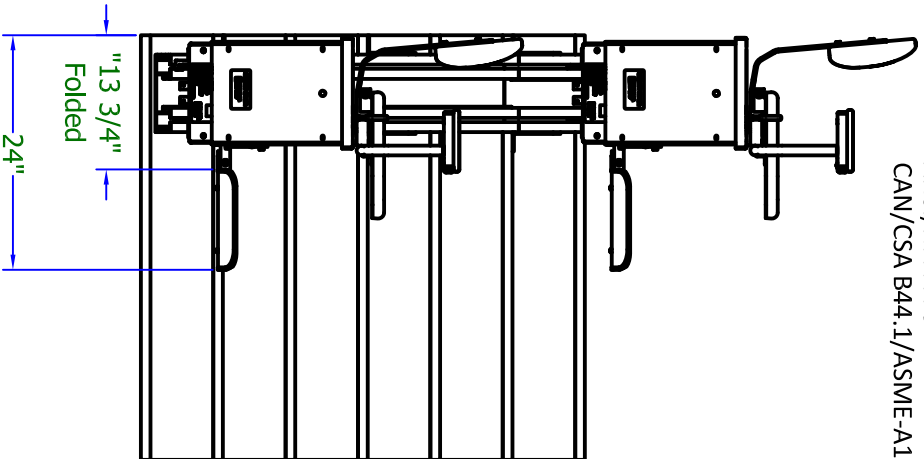
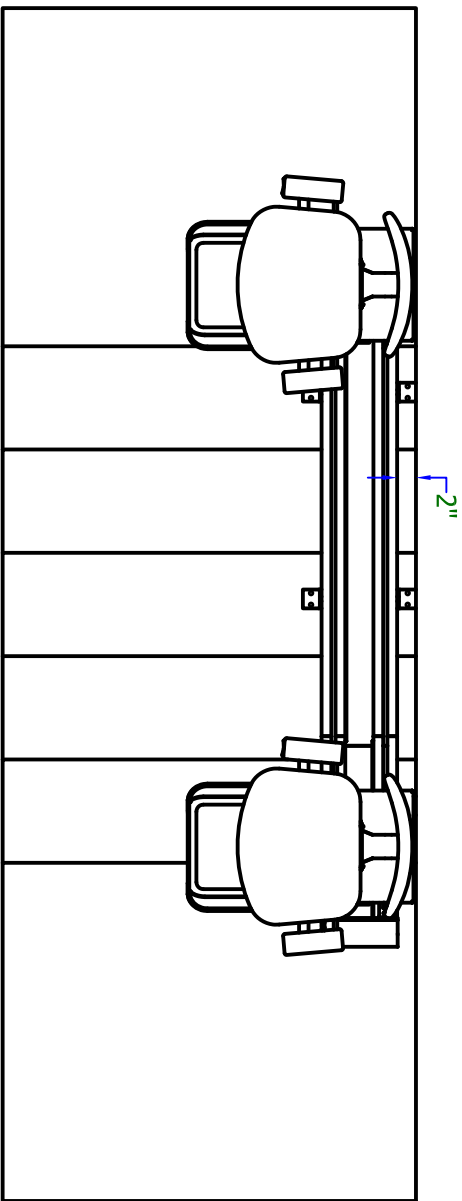


# AmeriGlide Rubex Stair Lift

## UNIT SPECIFICATIONS

- Rated Load: 350 lbs.
- Speed: 22 feet per minute
- Travel: 20' Maximum
- Electrical Requirement: 120 VAC grounded outlet
- Motor: AC Model-1/3 HP 90VDC, DC Model-1/3 HP 24VDC
- Incline Limits: 30° to 45°
- Brake: Self-locking worm gear
- Drive System: 3/16" dia. aircraft cable
- Controls: Constant pressure with optional keylocks
- Safety: Slack Rope
- FTL Listed - Control No. 3148125
- Stairway lift meets ASME A18.1-2005 section 4 & 7
- ANSI/NFPA 70
- CAN/CSA B44.1/ASME-A17.5-11



DRAWN Tom Bregel	3/24/2010	TITLE	
CHECKED		SIZE FINISH	DWG NO
<small>This document is the property of AmeriGlide and its contents will not be disclosed or used without the written consent of AmeriGlide.</small>		SCALE	REV
<b>THIRD ANGLE PROJECTION</b>			
<small>Tolerance (UNO) XX +.01 XXX +.005 XXX +.002 Avg +.03"</small>		<b>Accessbility Solutions</b>	
<small>SIZE FINISH</small>		<small>DWG NO</small>	
<small>SCALE</small>		<small>REV</small>	
<small>SHEET</small>		<small>1 of 1</small>	