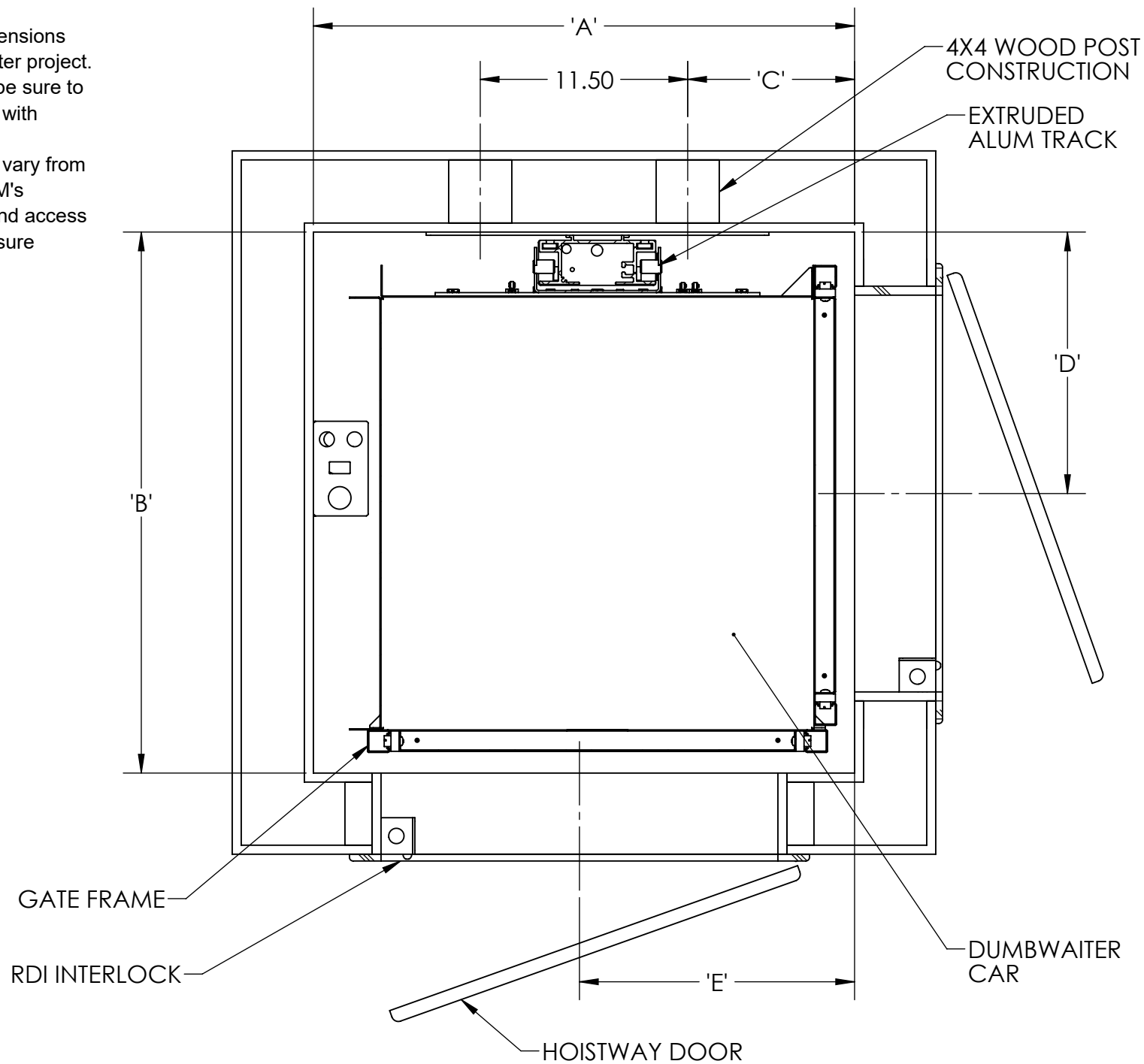


This generic drawing shows nominal dimensions useful for INITIAL planning of a dumbwaiter project. BEFORE beginning actual construction, be sure to request application drawings customized with dimensions for your specific project. Hoistway construction requirements may vary from state to state. Dimensions given are USM's recommended sizes, reflecting running and access clearances. Consult local authority to assure compliance with state and local codes.



### Dumbwaiter Specs

- CAR SIZE: 20"W X 20"D X 30"H
- 24"W X 24"D X 30"H
- 30"W X 30"D X 36"H
- DRIVE SYSTEM: BATTERY POWERED RACK AND PINION
- FINISH: POWDER COATED (RAL 9002)
- SPEED: 16-20 FPM
- POWER SUPPLY: 110VAC
- TRACK: 6063-T6 EXTRUDED ALUMINUM
- CONTROLS: AUTOMATIC OPERATION, WIRELESS PUSH BUTTON CONTROL AT EACH LANDING
- MOTOR: 140 WATT, 24VDC
- BRAKE: 24VDC
- CAR GATE: BI-PARTING VERTICAL SLIDING PANELS
- SAFETY DEVICE:
  - LIMIT SWITCHES AT EACH STOP
  - FINAL LIMIT AT TOP AND BOTTOM
  - CAR GATE SWITCH
  - ELECTROMECHANICAL HOISTWAY DOOR INTERLOCKS
  - OVERSPEED GOVERNOR

PLAN VIEW OF HOISTWAY

DOUBLE OPENING - RIGHT HAND CAR						
CAR SIZE	'A'	'B'	'C'	'D'	'E'	CAPACITY
20 x 20	26"	26"	7.25"	12.5"	13.25"	200#
24 x 24	30"	30"	9.25"	14.5"	15.25"	200#
30 x 30	36"	36"	12.5"	17.5"	18.25"	275#

HOISTWAY DIMENSIONS TO FINISHED WALLS.  
HOISTWAY DOOR CAN SWING EITHER DIRECTION. LEFT HAND SHOWN

UNLESS OTHERWISE SPECIFIED:		NAME	DATE
DIMENSIONS ARE IN INCHES			10/18/16
TOLERANCES:			
FRACTIONAL ±1/16		DRAWN	
ANGULAR: ±0.5°		CHECKED	
ONE PLACE DECIMAL ±0.1		ENG APPR.	
TWO PLACE DECIMAL ±0.01		MFG APPR.	
THREE PLACE DECIMAL ±0.005		Q.A.	
INTERPRET GEOMETRIC TOLERANCING PER:		COMMENTS:	
MATERIAL			
FINISH			
DO NOT SCALE DRAWING			

TITLE: DOUBLE OPENING - 90° RIGHT		
SIZE	DWG. NO.	REV
B	DW-90 RH	B
SCALE: 1:48 WEIGHT:		SHEET 1 OF 1